

ADJUST-ANGLE THERMOMETER MODEL AS5

**BLUE
SPIRIT FILL**



**CAT. NO.
AS5H-9**



SIMPLE ADJUSTMENT

Just two screws permit case to be rotated 180° and stem to be positioned in 10° increments allowing user to select the most desirable viewing position.

EASY READABILITY

Lens front blue liquid filled thermometer tube is mounted on V-shaped aluminum scale with bold black lines and numerals.

ACCURATE

Calibrated against standards traceable to the National Institute of Standards and Technology and guaranteed accurate to ± one scale division.

CONSTRUCTION

Black molded ABS case with glass front to exclude dirt and dust is standard. Aluminum case is optional at additional charge. Plastic face is optional at additional charge. *ABS case should not be subjected to temperatures greater than 200°F*

CONNECTION ASSEMBLY

Swivel nut has 1 1/4" - 18" NEF thread. Bulb chambers are tapered to insure proper fit in well.

See page 5 for thermowells.

See page 3 for case dimensions.

CATALOG NUMBERS

SCALE SIZE	STEM LENGTHS	
	3 1/2"	6"
7"	AS5H-7	AS5L-7

SCALE SIZE	STEM LENGTHS			
	3 1/2"	6"	9"	12"
9"	AS5H-9	AS5L-9	AS5N-9	AS5Q-9

STANDARD TEMPERATURE RANGES

CODE	FAHRENHEIT	SCALE SIZE	
		7"	9"
09	-40 to 110°F	2°	2°
16	0 to 120°F	1°	1°
18	0 to 160°F	2°	2°
36	20 to 180°F	2°	2°
42	30 to 240°F	2°	2°
46	30 to 300°F	5°	2°
49	50 to 400°F	5°	5°
50	50 to 550°F	-	5°

CODE	CELSIUS	SCALE
CO	-40 to 40°C	1°
CC	-15 to 50°C	1/2°
CD	-15 to 70°C	1°
	-	-
CH	0 to 115°C	1°
CJ	0 to 150°C	1°
CL	10 to 285°C	2°

CODE	DUAL SCALE (both °F and °C)	SCALE 9" Only
DA	-40 to 110°F & -40 to 43°C	2°/1°
DC	0 to 120°F & -17 to 49°C	1°/1/2°
DD	0 to 160°F & -17 to 71°C	2°/1°
DF	20 to 180°F & -6 to 82°C	2°/1°
DH	30 to 240°F & 0 to 114°C	2°/1°
DJ	30 to 300°F & -1 to 149°C	2°/1°
DK	50 to 400°F & 10 to 240°C	5°/2°
DL	50 to 550°F & 10 to 288°C	5°/2°

HOW TO ORDER - PLEASE SPECIFY THE FOLLOWING:

MODEL #	STEM LENGTH	SCALE SIZE	RANGE	OPTIONS
AS5	H = 3 1/2" stem L = 6" stem N = 9" stem Q = 12" stem	7 = 7" scale 9 = 9" scale	2 digit code from tables	AL = Aluminum Case P = Plastic Lens

ADJUST-ANGLE AIR DUCT THERMOMETER MODEL AS6

SIMPLE ADJUSTMENT

Just two screws permit case to be rotated 180° and stem to be positioned 10° increments allowing user to select the most desirable viewing position.

EASY READABILITY

Lens front blue liquid filled thermometer tube is mounted on V-shaped aluminum scale with bold black lines and numerals.

ACCURATE

Calibrated against standards traceable to the National Institute of Standards and Technology and guaranteed accurate to ± one scale division.

CONSTRUCTION

Standard with protective slotted bulb guard. Black molded ABS case with glass front to exclude dirt and dust is standard for ranges up to 240°F* (114°C). Aluminum case is optional at additional charge. Plastic face is optional at additional charge. *ABS case should not be subjected to temperatures greater than 200°F*

CONNECTION ASSEMBLY

Swivel nut has 1 1/4" - 18" NEF thread. Comes complete with mounting flange (P/N: All-3I)

See page 3 for case dimensions.



CAT. NO. AS6N-9 ▶

CATALOG NUMBERS

FORM	SCALE SIZE	STEM LENGTHS		
		6"	9"	12"
ADJUST ANGLE	7"	AS6L-7	-	-
	9"	AS6L-9	AS6N-9	AS6Q-9

STANDARD TEMPERATURE RANGES

CODE	FAHRENHEIT	SCALE SIZE		CODE	CELSIUS	SCALE 9" Only	CODE	DUAL SCALE (both °F and °C)	SCALE 9" Only
		7"	9"						
09	-40 to 110°F	2°	2°	CO	-40 to 40°C	1°	DA	-40 to 110°F & -40 to 43°C	2°/1°
16	0 to 120°F	1°	1°	CC	-15 to 50°C	1/2°	DC	0 to 120°F & -17 to 49°C	1°/1/2°
18	0 to 160°F	2°	2°	CD	-15 to 70°C	1°	DD	0 to 160°F & -17 to 71°C	2°/1°
36	20 to 180°F	2°	2°		-	-	DF	20 to 180°F & -6 to 82°C	2°/1°
42	30 to 240°F	2°	2°	CH	0 to 115°C	1°	DH	30 to 240°F & 0 to 114°C	2°/1°

HOW TO ORDER - PLEASE SPECIFY THE FOLLOWING:

MODEL #	STEM LENGTH	SCALE SIZE	RANGE	OPTIONS
AS6	L = 6" stem Q = 12" stem N = 9" stem	7 = 7" scale 9 = 9" scale	2 digit code from tables	AL = Aluminum Case P = Plastic Lens

5" SCALE SUPER ECONOMY THERMOMETER MODEL 152FC

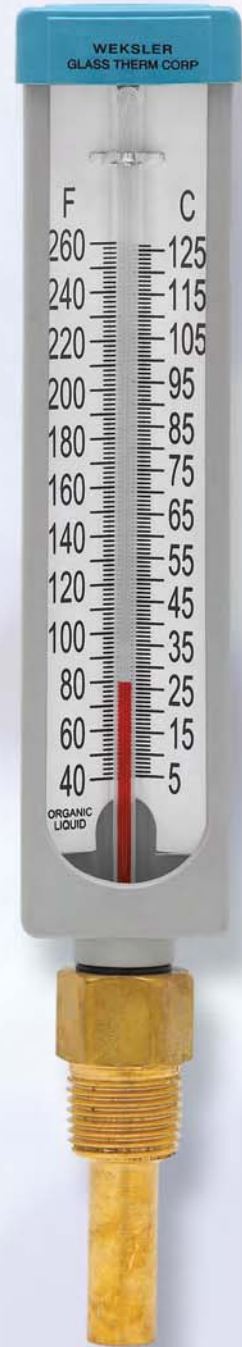
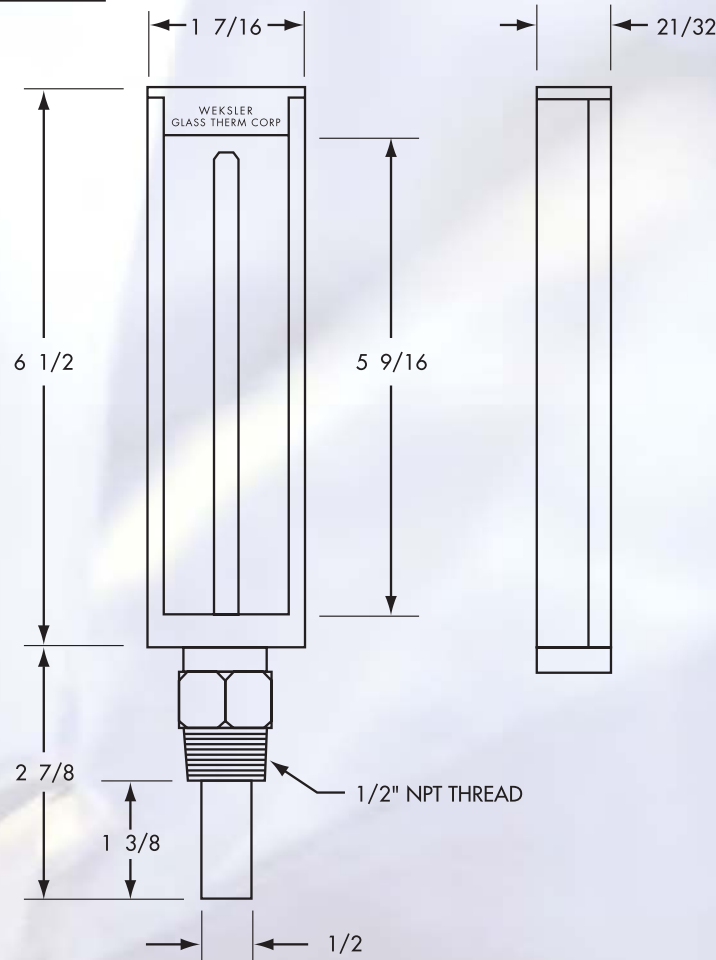
STANDARD FEATURES

- Range 40 to 260° F and C
- Gray ABS case
- No glass face (window)
- Lens front red liquid filled tube
- V-shaped aluminum scale, black figures and graduations on white background
- Complete with 1/2" NPT brass well, 2" nominal length

CAT. NO.
152FC ▶

CATALOG NUMBER

FORM	2" STEM
STRAIGHT	152FC



*Back angle form available.
See page 9.*

5" SCALE SUPER ECONOMY THERMOMETER MODEL 153FC

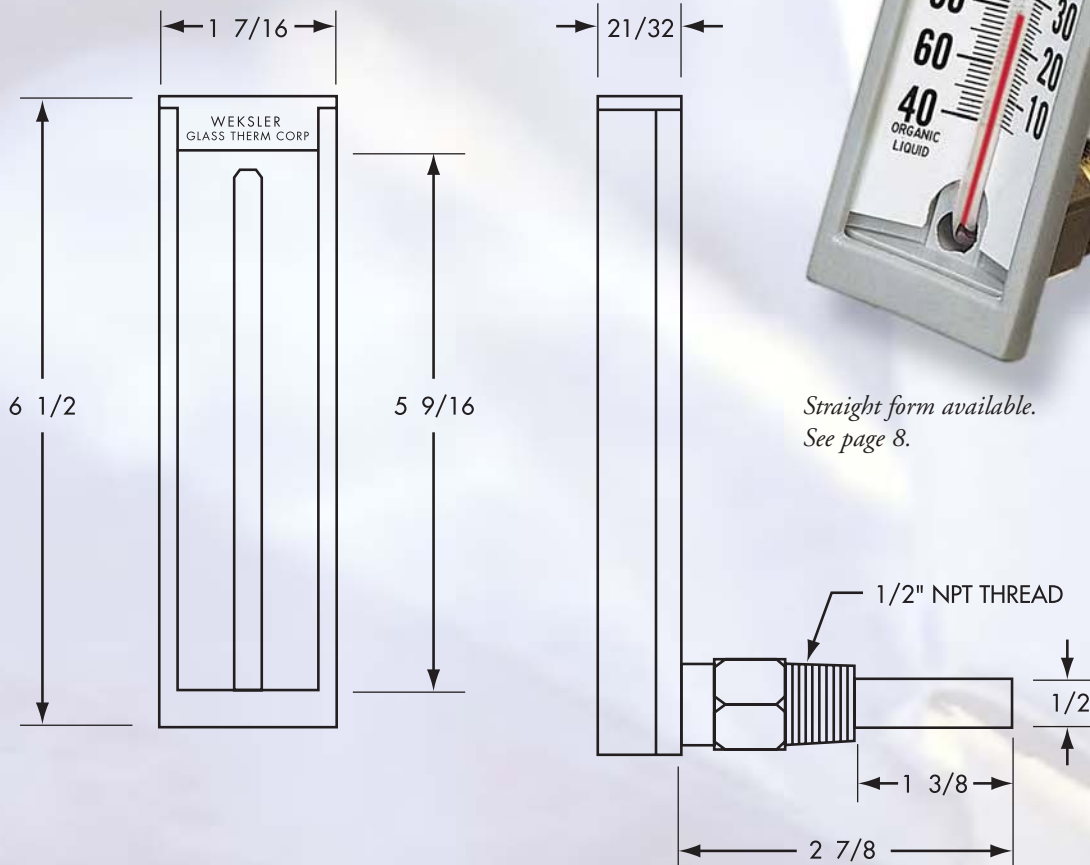
STANDARD FEATURES

- Range 40 to 260° F and C
- Gray ABS case
- No glass face (window)
- Lens front red liquid filled tube
- V-shaped aluminum scale, black figures and graduations on white background
- Complete with 1/2" NPT brass well, 2" nominal length

CATALOG NUMBER

FORM	2" STEM
90° BACK ANGLE	153FC

CAT. NO. 153FC



*Straight form available.
See page 8.*